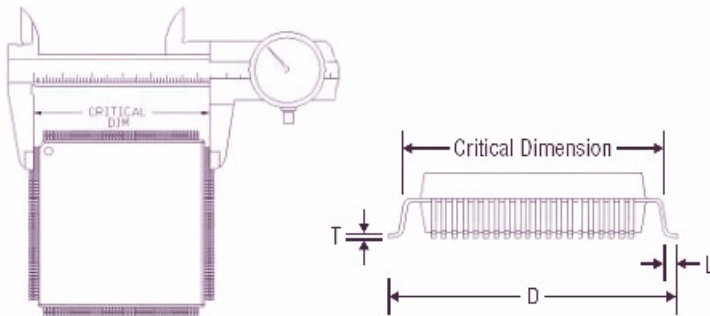


BOARD SPACE
REQUIRED

FEATURES:

- ✓ Locking test clips provides easy and reliable means to connect instrumentation to the SMT leads of 240 pin plastic, metal and ceramic quad flatpack (QFP) chips.
- ✓ The special locking fingers at each corner attach to the body of the chip and hold the clip firmly against the chip leads.
- ✓ Locking fingers attach to the chip body and allow testing of vertical boards.
- ✓ Gold plated contacts and PGA sockets assure noise free connections.
- ✓ Included 50 PGA pins.

Pomona Model	Lead Pitch	Leads "D"	Body "D1"	Chip Height "A"	Critical Dimension "C"*
5998AL	.50mm	34.6mm	32,0mm	4mm	33.8mm
5998AL-1	.50mm	34.6mm	31,62mm	4mm	33.8mm
7056	Replacement gold plated PGA pins. Package of 100				



*** To calculate the "Critical Dimension" refer to manufacture data sheet or measure with calipers to determine the nominal value of "D", "L" and "T".**

$$C = D - 2(L - T)$$

All dimensions are in inches. Tolerances (except noted): .xx = ±.02" (.51 mm), .xxx = ±.005" (.127 mm).
 All specifications are to the latest revisions. Specifications are subject to change without notice.
 Registered trademarks are the property of their respective companies.

Sales: 800-490-2361 Fax: 888-403-3360 Technical Support: 800-241-2060 (technicalsupport@pomonatest.com)
 For "Where to Buy" information, visit the Pomona web site at www.pomonaelectronics.com

	1	2	3	4	5	6	7	8	9	10	11	12	13	14	15	16	17	
A	○ 239	○ 223	○ 233	○ 235	○ 229	○ 225	○ 219	○ 215	○ 211	○ 207	○ 201	○ 197	○ 191	○ 189	○ 183	○ 193	○ 179	A
B	○ 13	○ 1	○ 237	○ 231	○ 227	○ 221	○ 217	○ 213	○ 209	○ 205	○ 203	○ 199	○ 195	○ 187	○ 185	○ 181	○ 163	B
C	○ 3	○ 5	○ 2	○ 236	○ 232	○ 226	○ 222	○ 216	○ 212	○ 206	○ 202	○ 196	○ 190	○ 186	○ 182	○ 177	○ 173	C
D	○ 9	○ 7	○ 6	○ 4	○ 238	○ 230	○ 224	○ 218	○ 214	○ 208	○ 200	○ 194	○ 188	○ 184	○ 176	○ 171	○ 175	D
E	○ 11	○ 15	○ 10	○ 8	○ 240	○ 234	○ 228	○ 220	○ 210	○ 204	○ 198	○ 192	○ 180	○ 178	○ 172	○ 167	○ 169	E
F	○ 17	○ 19	○ 16	○ 14	○ 12								○ 174	○ 170	○ 166	○ 161	○ 165	F
G	○ 21	○ 23	○ 22	○ 20	○ 18								○ 168	○ 164	○ 162	○ 157	○ 159	G
H	○ 27	○ 25	○ 26	○ 28	○ 24								○ 160	○ 158	○ 156	○ 153	○ 155	H
J	○ 31	○ 29	○ 32	○ 34	○ 30								○ 150	○ 154	○ 152	○ 149	○ 151	J
K	○ 35	○ 33	○ 36	○ 38	○ 40								○ 144	○ 148	○ 146	○ 145	○ 147	K
L	○ 39	○ 37	○ 42	○ 44	○ 48								○ 138	○ 140	○ 142	○ 143	○ 141	L
M	○ 45	○ 41	○ 46	○ 50	○ 54								○ 132	○ 134	○ 136	○ 139	○ 137	M
N	○ 49	○ 47	○ 52	○ 58	○ 60	○ 72	○ 78	○ 84	○ 90	○ 100	○ 108	○ 114	○ 120	○ 128	○ 130	○ 135	○ 131	N
P	○ 55	○ 51	○ 56	○ 64	○ 68	○ 74	○ 80	○ 88	○ 94	○ 98	○ 104	○ 110	○ 118	○ 124	○ 126	○ 127	○ 129	P
Q	○ 53	○ 57	○ 62	○ 66	○ 70	○ 76	○ 82	○ 86	○ 92	○ 96	○ 102	○ 106	○ 112	○ 116	○ 122	○ 125	○ 123	Q
R	○ 43	○ 61	○ 65	○ 67	○ 75	○ 79	○ 83	○ 85	○ 89	○ 93	○ 97	○ 101	○ 107	○ 111	○ 117	○ 121	○ 133	R
S	○ 59	○ 73	○ 63	○ 69	○ 71	○ 77	○ 81	○ 87	○ 91	○ 95	○ 99	○ 105	○ 109	○ 115	○ 113	○ 103	○ 119	S

PGA Socket Pin Out

All dimensions are in inches. Tolerances (except noted): .xx = ±.02" (.51 mm), .xxx = ±.005" (.127 mm).
 All specifications are to the latest revisions. Specifications are subject to change without notice.
 Registered trademarks are the property of their respective companies.

Sales: 800-490-2361 Fax: 888-403-3360 Technical Support: 800-241-2060 (technicalsupport@pomonatest.com)
 For "Where to Buy" information, visit the Pomona web site at www.pomonaelectronics.com